

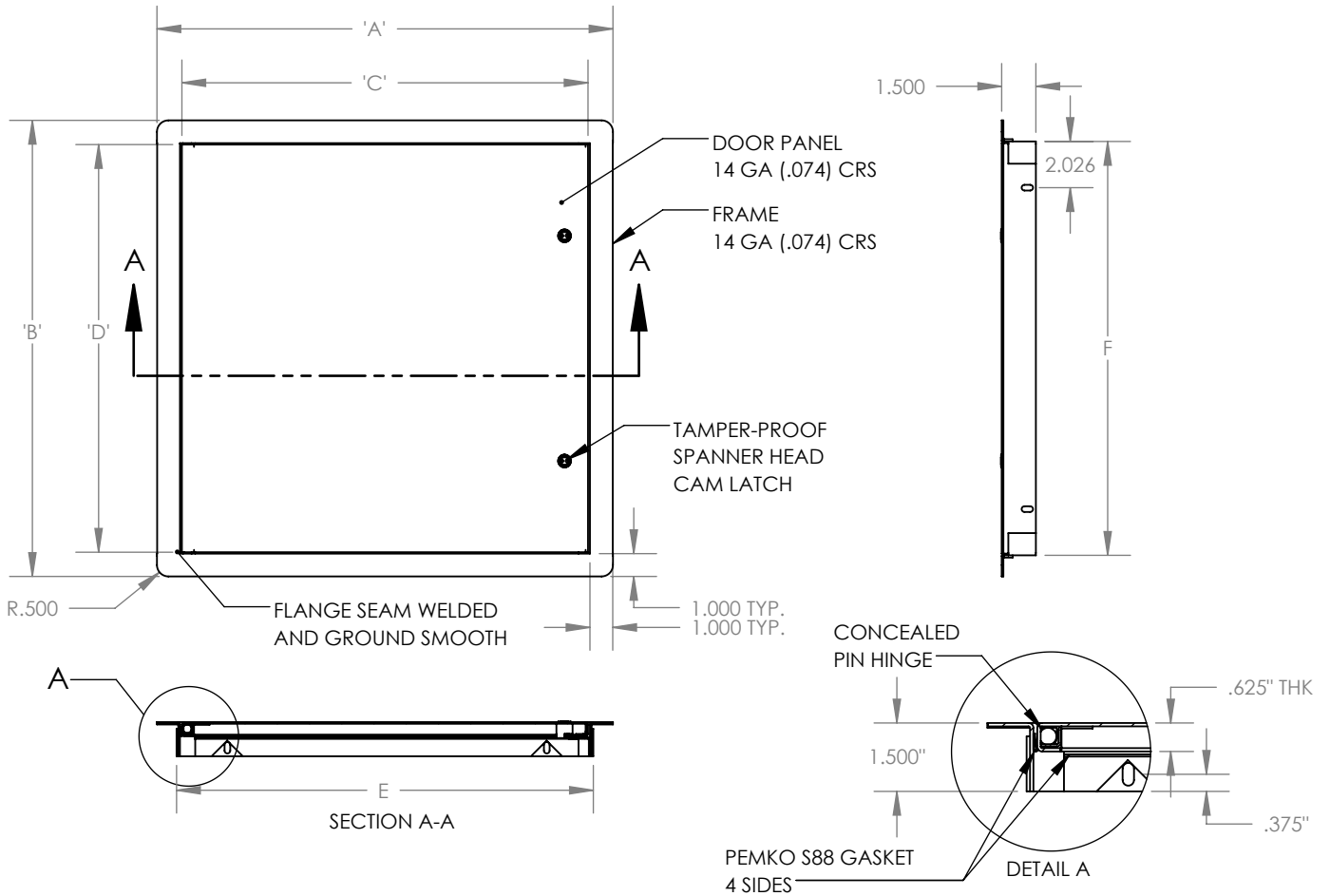


www.acudor.com
 U.S.A: info@acudor.com / 800.722.0501
 CANADA: info@acudor.ca / 844.228.3671
 INTERNATIONAL: info@acudorintl.com
 905.428.2240

AL-9500

ANTI-LIGATURE ACCESS DOOR

QTY:	NOMINAL SIZE	A	B	C	D	E	F	LOCK QTY
	12 X 12 (305 X 305)	14.000 (355)	14.000 (355)	11.812 (300)	11.876 (301)	12.279 (312)	12.148 (309)	1
	16 X 16 (406 X 406)	18.000 (457)	18.000 (457)	15.812 (401)	15.876 (403)	16.279 (413)	16.148 (410)	2
	18 X 18 (457 X 457)	20.000 (508)	20.000 (508)	17.812 (452)	17.876 (454)	18.279 (464)	18.148 (461)	2
	24 X 24 (609 X 608)	26.000 (660)	26.000 (660)	23.812 (604)	23.876 (606)	24.279 (617)	24.148 (613)	2
	24 X 36 (609 X 914)	26.000 (660)	38.000 (965)	23.812 (604)	37.876 (911)	24.279 (617)	36.148 (918)	2



STANDARD FEATURES: FULLY GASKETED
 SPANNER HEAD CAM LATCH
 PRIME COAT WHITE ALKYD BAKED-ON ENAMEL

OPTIONS:

LOCK TYPE:

TORX HEAD CAM LATCH

MATERIAL:

STAINLESS STEEL
 OTHER

FINISH:

OTHER

JOB NAME:

APPROVED BY:

CUSTOMER:

DATE: