

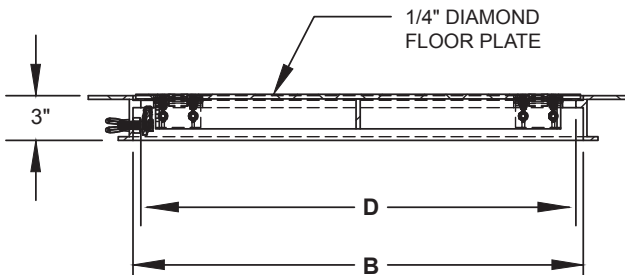
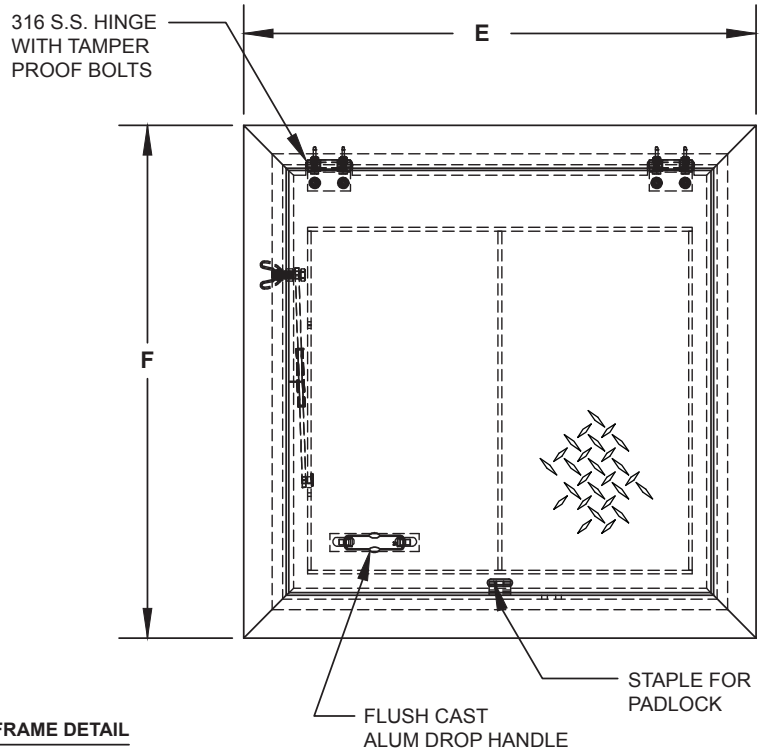
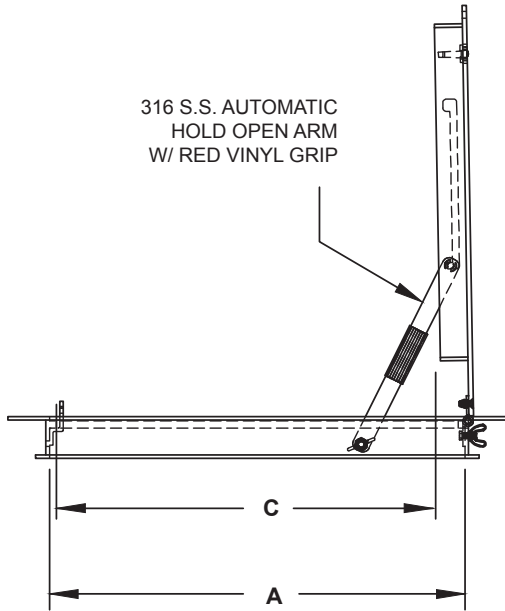


www.acudor.com
 U.S.A.: info@acudor.com • 800.722.0501
 CANADA: info@acudor.ca • 844.228.3671
 INTERNATIONAL: info@acudorintl.com • 905.428.2240

FA-300

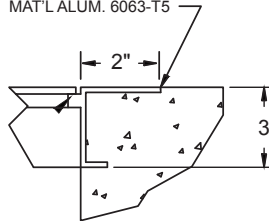
ANGLE FRAME FLOOR DOOR SINGLE LEAF

NOMINAL DOOR SIZE	FRAME OPENING		CLEAR OPENING		OVERALL SIZE		WEIGHT
	Inches (mm)	A	B	C	D	E	F
24 x 24 (610 x 610)	24 (610)	24 (610)	21 (533)	23 (584)	28 (711)	28 (711)	42 (19)
24 x 30 (610 x 762)	24 (610)	30 (762)	21 (533)	29 (737)	28 (711)	34 (864)	49 (22)
24 x 36 (610 x 914)	24 (610)	36 (914)	21 (533)	35 (889)	28 (711)	40 (1016)	55 (25)
30 x 30 (762 x 762)	30 (762)	30 (762)	27 (686)	29 (737)	34 (864)	34 (864)	57 (26)
30 x 48 (762 x 1219)	30 (762)	48 (1219)	27 (686)	47 (1194)	34 (864)	52 (1321)	80 (36)
36 x 36 (914 x 914)	36 (914)	36 (914)	32 (813)	35 (889)	40 (1016)	40 (1016)	73 (33)
36 x 48 (914 x 1219)	36 (914)	48 (1219)	32 (813)	47 (1194)	40 (1016)	52 (1321)	92 (42)
42 x 42 (1067 x 1067)	42 (1067)	42 (1067)	38 (965)	41 (1041)	46 (1168)	46 (1168)	94 (43)



FRAME DETAIL

1/4" EXTRUDED ANGLE SECTION W/ INTEGRAL SEAT & CONT. ANCHOR FLANGE MAT'L ALUM. 6063-T5



NOTES:
 MATERIAL: ALUMINUM • LOADING: 300 PSF

OPTIONAL FEATURES

- S.S. HORIZONTAL SPRINGS
- S.S. SLAMLOCK
- BITUMINOUS PAINT ON AREA IN
- CONTACT WITH CONCRETE
- OTHERS: _____

JOB NAME:

APPROVED BY:

CUSTOMER:

DATE:

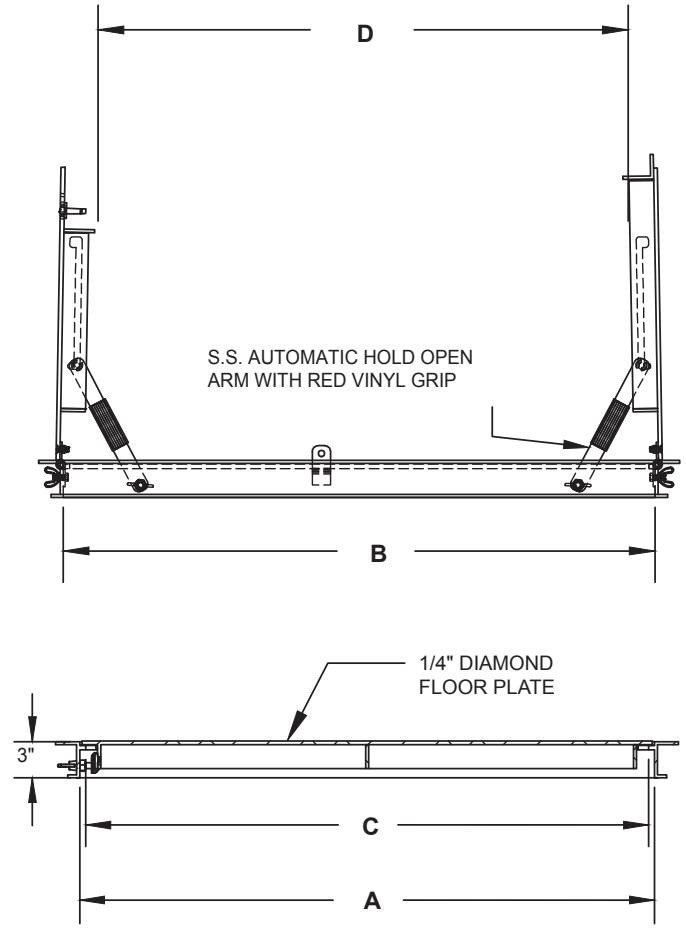
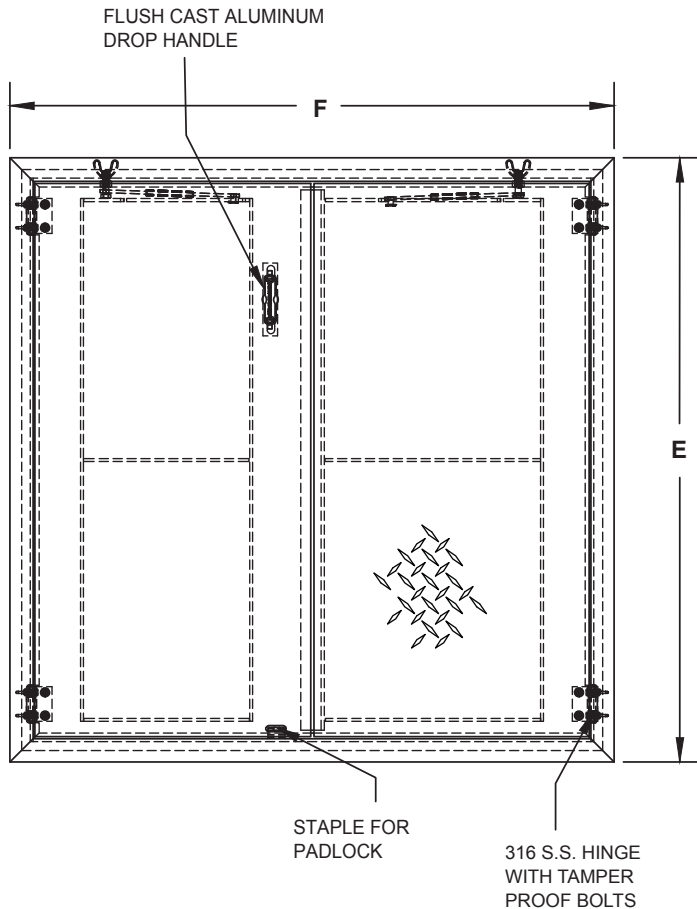


www.acudor.com
 U.S.A.: info@acudor.com • 800.722.0501
 CANADA: info@acudor.ca • 844.228.3671
 INTERNATIONAL: info@acudorintl.com • 905.428.2240

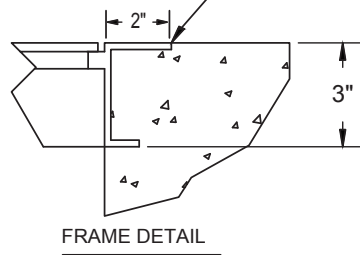
FA-300

ANGLE FRAME FLOOR DOOR DOUBLE LEAF

NOMINAL DOOR SIZE	FRAME OPENING		CLEAR OPENING		OVERALL SIZE		WEIGHT
	Inches (mm)	A	B	C	D	E	F
48 x 48 (1219 x 1219)	48 (1219)	48 (1219)	47 (1194)	43 (1092)	52 (1320)	52 (1320)	123 (56)
48 x 72 (1219 x 1829)	48 (1219)	72 (1829)	47 (1194)	66 (1676)	52 (1320)	76 (1930)	170 (77)
60 x 60 (1524 x 1524)	60 (1524)	60 (1524)	59 (1499)	54 (1371)	66 (1676)	64 (1625)	177 (80)



1/4" EXTRUDED ANGLE SECTION WITH INTEGRAL SEAT & CONT. ANCHOR FLANGE
 MAT'L ALUM. 6063-T5



NOTES:
 MATERIAL: ALUMINUM • LOADING: 300 PSF

- OPTIONAL FEATURES
- S.S. HORIZONTAL SPRINGS
 - S.S. SLAMLOCK
 - BITUMINOUS PAINT ON AREA IN
 - CONTACT WITH CONCRETE
 - OTHERS: _____

JOB NAME:
 CUSTOMER:

APPROVED BY:
 DATE: