



www.acudor.com  
 U.S.A.: info@acudor.com / 800.722.0501  
 CANADA: info@acudor.ca / 844.228.3671  
 INTERNATIONAL: info@acudorintl.com  
 (905) 428.2240

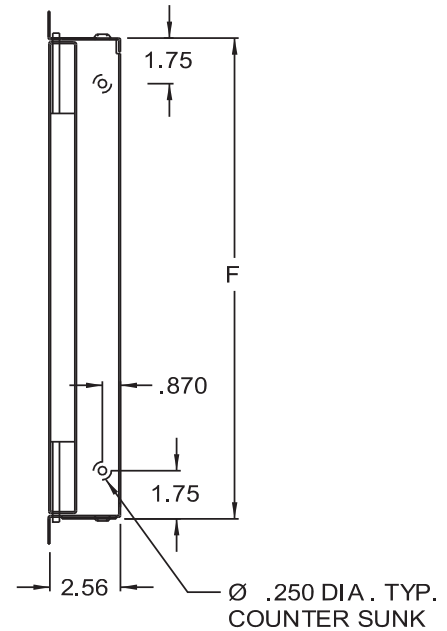
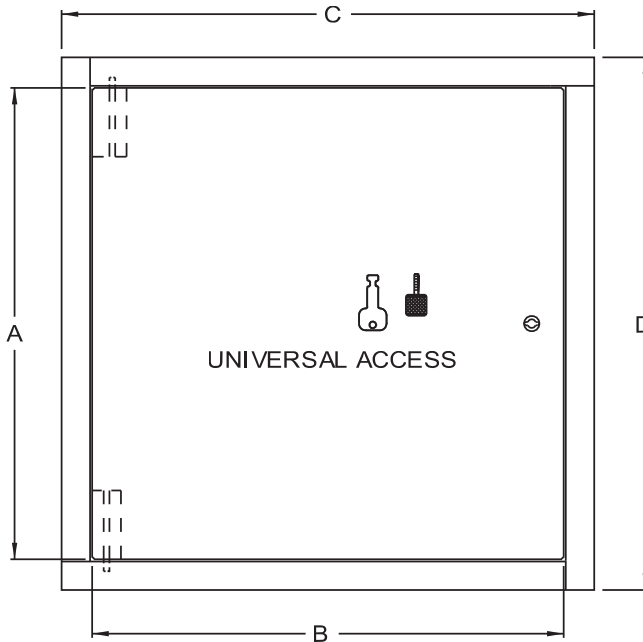
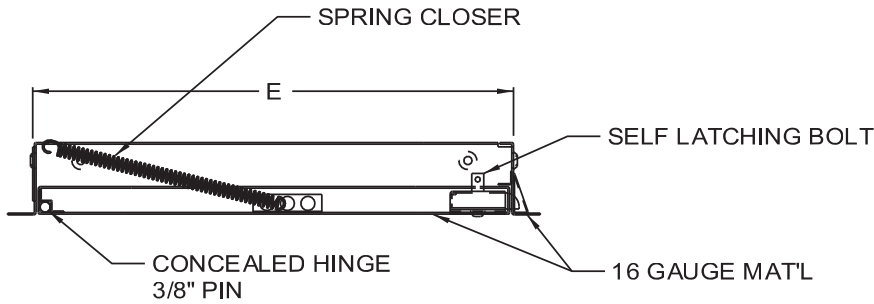
# FB-5060

## FIRE RATED - FOR WALLS

| QTY. | NOMINAL SIZE        | A           | B           | C        | D        | E           | F           | LOCK |
|------|---------------------|-------------|-------------|----------|----------|-------------|-------------|------|
|      | 8 X 8 (203 X 203)   | 7.78 (198)  | 7.78 (198)  | 10 (254) | 10 (254) | 8.12 (206)  | 8.12 (206)  | 1    |
|      | 10 x 10 (254 x 254) | 9.78 (248)  | 9.78 (248)  | 12 (305) | 12 (305) | 10.12 (257) | 10.12 (257) | 1    |
|      | 12 x 12 (305 x 305) | 11.78 (299) | 11.78 (299) | 14 (356) | 14 (356) | 12.12 (308) | 12.12 (308) | 1    |
|      | 14 x 14 (356 x 356) | 13.78 (350) | 13.78 (350) | 16 (406) | 16 (406) | 14.12 (359) | 14.12 (359) | 1    |
|      | 16 x 16 (406 x 406) | 15.78 (401) | 15.78 (401) | 18 (457) | 18 (457) | 16.12 (409) | 16.12 (409) | 1    |
|      | 18 x 18 (457 x 457) | 17.78 (452) | 17.78 (452) | 20 (508) | 20 (508) | 18.12 (460) | 18.12 (460) | 1    |
|      | 24 x 24 (610 x 610) | 23.78 (604) | 23.78 (604) | 26 (660) | 26 (660) | 24.12 (613) | 24.12 (613) | 1    |

### WALLS

Approved by Underwriters Laboratories (UL) for 1 1/2 hours "B" label in walls and ULC for 2 hours "B" label in walls.



**STANDARD FEATURES:** UNIVERSAL SELF LATCHING BOLT- OPERATED BY KNURLED KNOB / FLUSH KEY/ AND INSIDE TURN RELEASE.

**OPTIONS:** CARBON STEEL, PRIME COAT BAKED ENAMEL FINISH

**LOCK TYPE**

- RIM CYLINDER LOCK
- PREPARED FOR MORTISE CYLINDER LOCK

**MATERIAL**

- STAINLESS STEEL
- OTHER

**FINISH**

- #4 SATIN POLISH
- OTHER

**ALL FIRE RATED:**

SPECIAL SIZES CAN BE ORDERED, BUT BASIC CONSTRUCTION MUST REMAIN CONSTANT TO COMPLY WITH UL AND ULC REGULATIONS.

JOB NAME:

APPROVED BY:

CUSTOMER:

DATE:

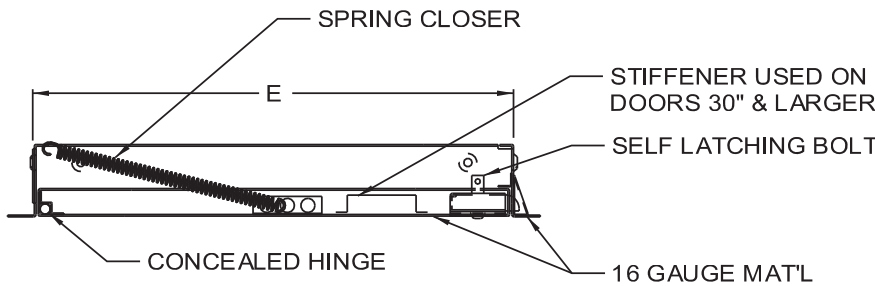


www.acudor.com  
 U.S.A.: info@acudor.com / 800.722.0501  
 CANADA: info@acudor.ca / 844.228.3671  
 INTERNATIONAL: info@acudorintl.com  
 (905) 428.2240

# FB-5060

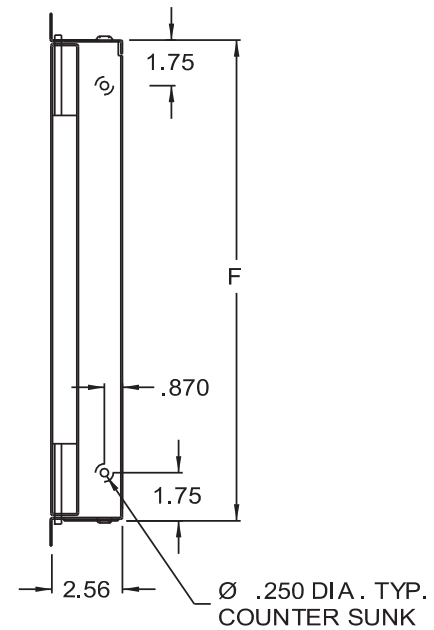
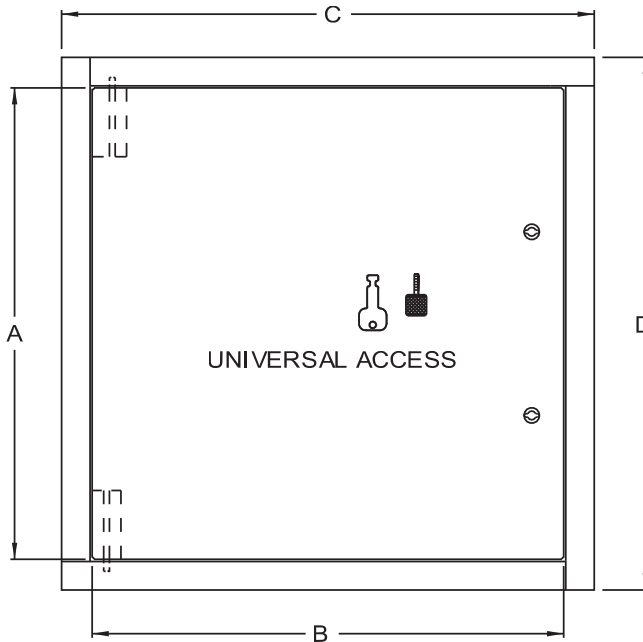
## FIRE RATED - FOR WALLS

| QTY. | NOMINAL SIZE         | A            | B           | C        | D         | E           | F            | LOCK |
|------|----------------------|--------------|-------------|----------|-----------|-------------|--------------|------|
|      | 22 x 30 (559 x 762)  | 29.78 (756)  | 21.78 (553) | 24 (610) | 32 (813)  | 22.12 (562) | 30.12 (765)  | 2    |
|      | 22 x 36 (559 x 914)  | 35.78 (909)  | 21.78 (553) | 24 (610) | 38 (965)  | 22.12 (562) | 36.12 (917)  | 2    |
|      | 24 x 36 (610 x 914)  | 35.78 (909)  | 23.78 (604) | 26 (660) | 38 (965)  | 24.12 (613) | 36.12 (917)  | 2    |
|      | 24 x 48 (610 x 1219) | 47.78 (1214) | 23.78 (604) | 26 (660) | 50 (1270) | 24.12 (613) | 48.12 (1222) | 2    |
|      | 30 x 30 (762 x 762)  | 29.78 (756)  | 29.78 (756) | 32 (813) | 32 (813)  | 30.12 (765) | 30.12 (765)  | 2    |
|      | 36 x 36 (914 x 914)  | 35.78 (909)  | 35.78 (909) | 38 (965) | 38 (965)  | 36.12 (917) | 36.12 (917)  | 2    |
|      | 36 x 48 (914 x 1220) | 47.78 (1214) | 35.78 (909) | 38 (965) | 50 (1270) | 36.12 (917) | 48.12 (1222) | 2    |



### WALLS

Approved by Underwriters Laboratories (UL) for 1 1/2 hours "B" label in walls and ULC for 2 hours "B" label in walls.



**STANDARD FEATURES:** UNIVERSAL SELF LATCHING BOLT- OPERATED BY KNURLED KNOB / FLUSH KEY/ AND INSIDE TURN RELEASE.

**OPTIONS:** CARBON STEEL, PRIME COAT BAKED ENAMEL FINISH

- |   |  |  |
|---|--|--|
| <b>LOCK TYPE</b>  | <b>MATERIAL</b>                          | <b>FINISH</b>                            |
| <input type="checkbox"/> RIM CYLINDER LOCK                  | <input type="checkbox"/> STAINLESS STEEL | <input type="checkbox"/> #4 SATIN POLISH |
| <input type="checkbox"/> PREPARED FOR MORTISE CYLINDER LOCK | <input type="checkbox"/> OTHER           | <input type="checkbox"/> OTHER           |

**ALL FIRE RATED:**

SPECIAL SIZES CAN BE ORDERED, BUT BASIC CONSTRUCTION MUST REMAIN CONSTANT TO COMPLY WITH UL AND ULC REGULATIONS.

JOB NAME:

APPROVED BY:

CUSTOMER:

DATE: