

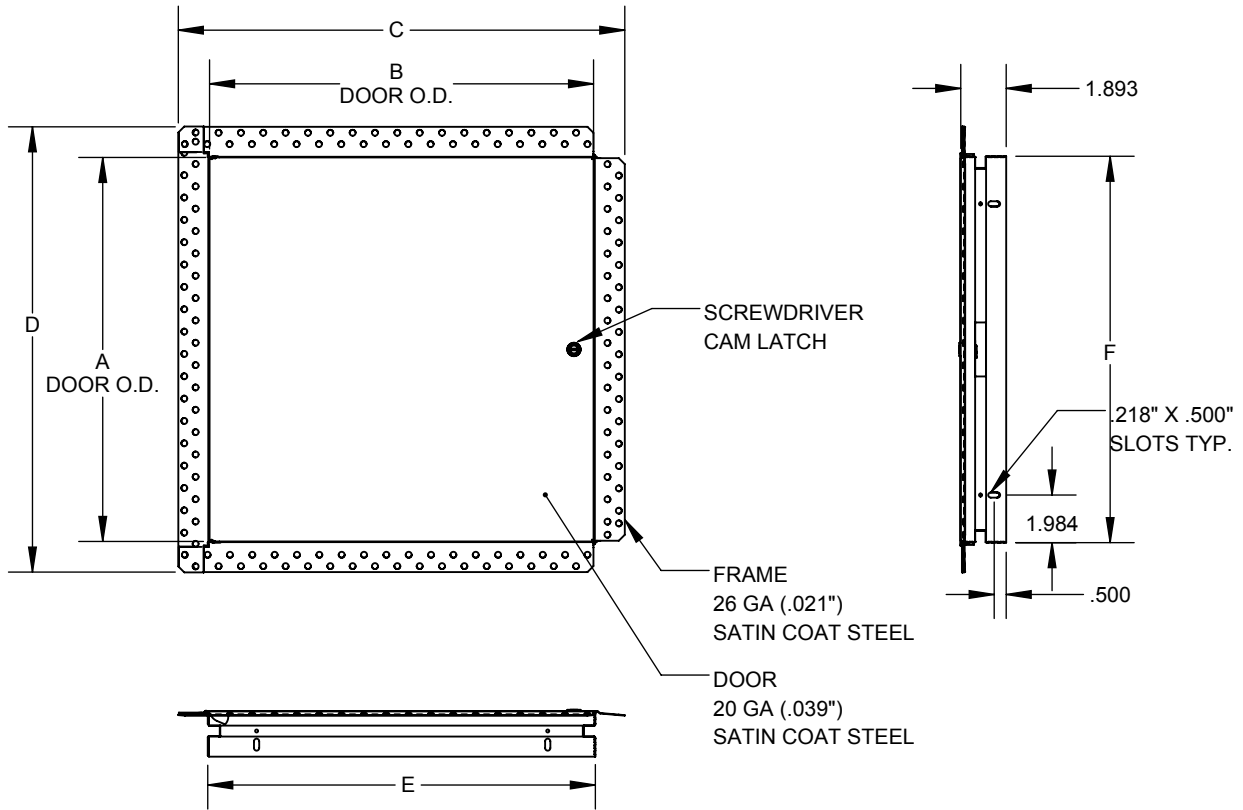


www.acudor.com
 U.S.A.: info@acudor.com / 800.722.0501
 CANADA: info@acudor.ca / 844.228.3671
 INTERNATIONAL: info@acudorintl.com
 (905) 428.2240

DW-5040

FLUSH FOR DRYWALL

QTY	NOMINAL SIZE	A	B	C	D	E	F
	6 X 6 (152 X 152)	6.000 (152)	6.000 (152)	8.581 (218)	8.581 (218)	6.125 (156)	6.125 (156)
	8 X 8 (203 X 203)	8.000 (203)	8.000 (203)	10.581 (269)	10.581 (269)	8.125 (206)	8.125 (206)
	10 X 10 (254 X 254)	10.000 (254)	10.000 (254)	12.581 (320)	12.581 (320)	10.125 (257)	10.125 (257)
	12 X 12 (305 X 305)	12.000 (305)	12.000 (305)	14.581 (370)	14.581 (370)	12.125 (308)	12.125 (308)
	14 X 14 (356 X 356)	14.000 (356)	14.000 (356)	16.581 (421)	16.581 (421)	14.125 (359)	14.125 (359)
	16 X 16 (406 X 406)	16.000 (406)	16.000 (406)	18.581 (472)	18.581 (472)	16.125 (410)	16.125 (410)
	18 X 18 (457 X 457)	18.000 (457)	18.000 (457)	20.581 (523)	20.581 (523)	18.125 (460)	18.125 (460)
	22 X 22 (559 X 559)	22.000 (559)	22.000 (559)	24.581 (624)	24.581 (624)	22.125 (562)	22.125 (562)
	12 X 24 (305 X 610)	24.000 (610)	12.000 (305)	14.581 (370)	26.581 (675)	12.125 (308)	24.125 (613)
	16 X 24 (406 X 610)	24.000 (610)	16.000 (406)	18.581 (472)	26.581 (675)	16.125 (410)	24.125 (613)
	18 X 24 (457 X 610)	24.000 (610)	18.000 (457)	20.581 (523)	26.581 (675)	18.125 (460)	24.125 (613)
	24 X 24 (610 X 610)	24.000 (610)	24.000 (610)	26.581 (675)	26.581 (675)	24.125 (613)	24.125 (613)



- STANDARD FEATURES:
- SCREWDRIVER OPERATED CAM LATCH
 - SATIN COAT STEEL FORMED DOOR PANEL
 - WHITE BAKED ENAMEL FINISH
 - PERFORATED FLANGE FRAME; MILL FINISH

- LOCK OPTIONS:
- CYLINDER LOCK WITH KEY
 - SPANNER HEAD LATCH
 - TORX HEAD LATCH
 - ALLEN HEAD LATCH

JOB NAME:

APPROVED BY:

CUSTOMER:

DATE:

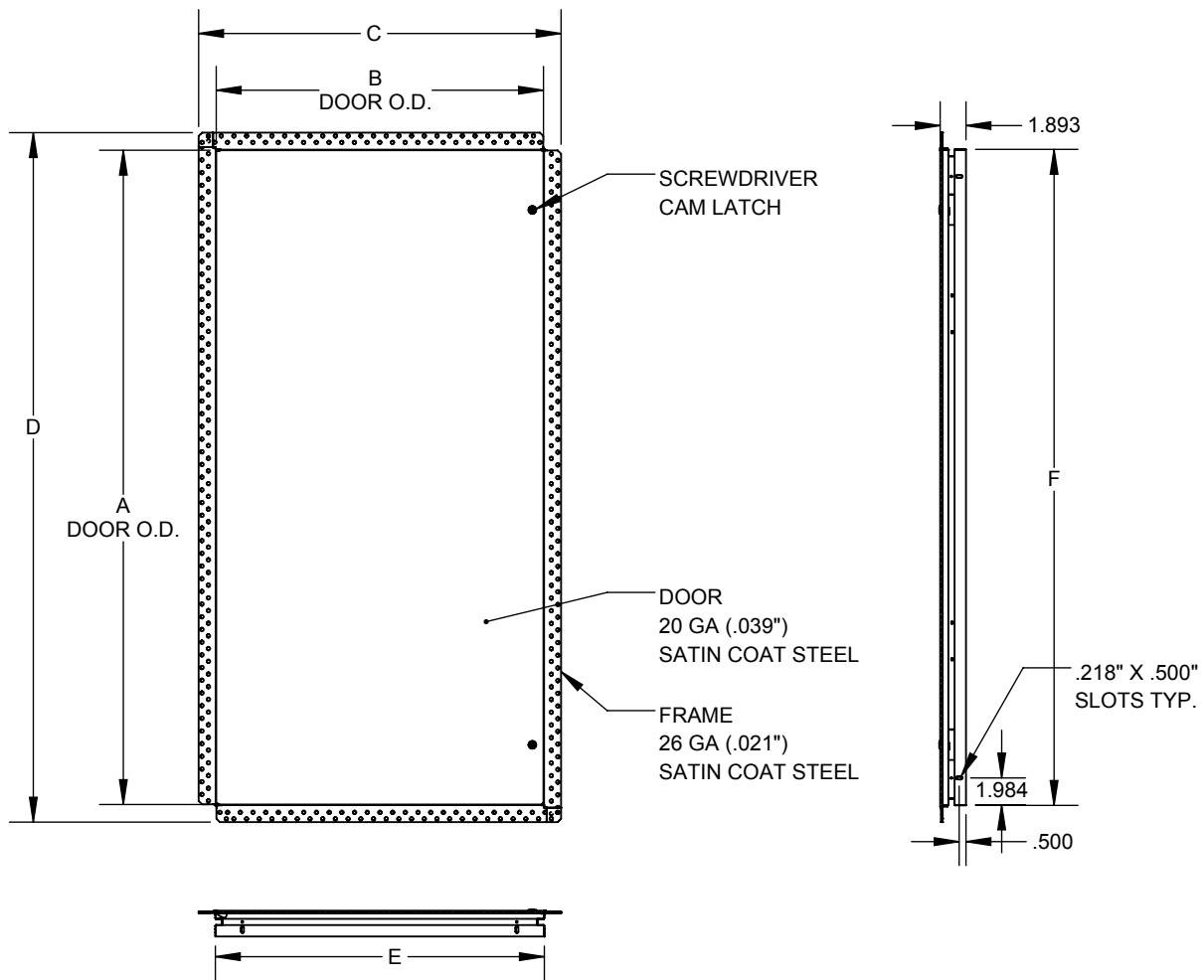


www.acudor.com
 U.S.A.: info@acudor.com / 800.722.0501
 CANADA: info@acudor.ca / 844.228.3671
 INTERNATIONAL: info@acudorintl.com
 (905) 428.2240

DW-5040

FLUSH FOR DRYWALL

QTY	NOMINAL SIZE	A	B	C	D	E	F	LATCH
	24 X 30 (610 X 762)	30.000 (762)	24.000 (610)	26.581 (675)	32.581 (828)	24.125 (613)	30.125 (765)	2
	24 X 36 (610 X 914)	36.000 (914)	24.000 (610)	26.581 (675)	38.581 (980)	24.125 (613)	36.125 (918)	2
	24 X 48 (610 X 1219)	48.000 (1219)	24.000 (610)	26.581 (675)	50.581 (1285)	24.125 (613)	48.125 (1222)	2
	24 X 54 (610 X 1372)	54.000 (1372)	24.000 (610)	26.581 (675)	56.581 (1437)	24.125 (613)	54.125 (1375)	3
	24 X 60 (610 X 1524)	60.000 (1524)	24.000 (610)	26.581 (675)	62.581 (1590)	24.125 (613)	60.125 (1527)	3
	24 X 72 (610 X 1829)	72.000 (1829)	24.000 (610)	26.581 (675)	74.581 (1894)	24.125 (613)	72.125 (1832)	3



STANDARD FEATURES:

- SCREWDRIVER OPERATED CAM LATCH
- SATIN COAT STEEL FORMED DOOR PANEL
- WHITE BAKED ENAMEL FINISH
- PERFORATED FLANGE FRAME; MILL FINISH

LOCK OPTIONS:

- CYLINDER LOCK WITH KEY
- SPANNER HEAD LATCH
- TORX HEAD LATCH
- ALLEN HEAD LATCH

JOB NAME:

APPROVED BY:

CUSTOMER:

DATE:

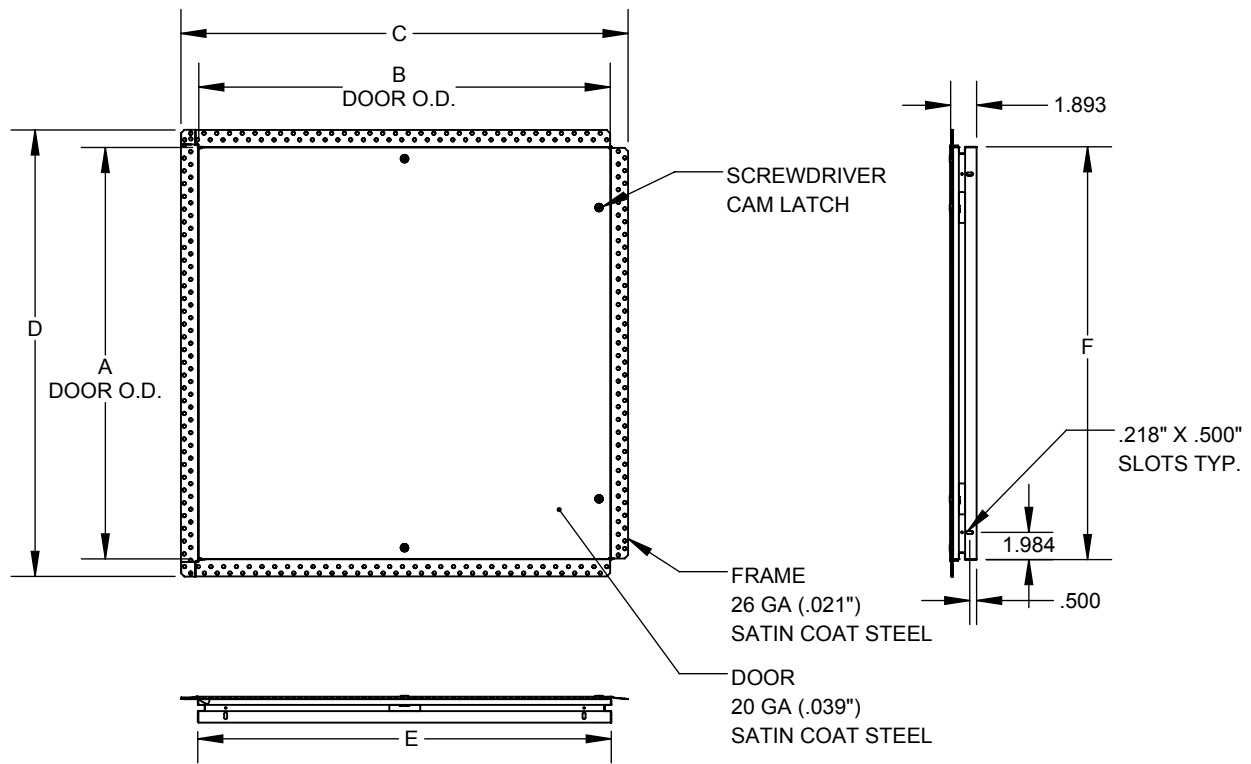


www.acudor.com
 U.S.A.: info@acudor.com / 800.722.0501
 CANADA: info@acudor.ca / 844.228.3671
 INTERNATIONAL: info@acudorintl.com
 (905) 428.2240

DW-5040

FLUSH FOR DRYWALL

QTY	NOMINAL SIZE	A	B	C	D	E	F
	30 X 30 (762 X 762)	30.000 (762)	30.000 (762)	32.581 (828)	32.581 (828)	30.125 (765)	30.125 (765)
	30 X 36 (762 X 914)	36.000 (914)	30.000 (762)	32.581 (828)	38.581 (980)	30.125 (765)	36.125 (918)
	36 X 36 (914 X 914)	36.000 (914)	36.000 (914)	38.581 (980)	38.581 (980)	36.125 (918)	36.125 (918)
	36 X 48 (914 X 1219)	48.000 (1219)	36.000 (914)	38.581 (980)	50.581 (1285)	36.125 (918)	48.125 (1222)



STANDARD FEATURES:

- SCREWDRIVER OPERATED CAM LATCH
- SATIN COAT STEEL FORMED DOOR PANEL
- WHITE BAKED ENAMEL FINISH
- PERFORATED FLANGE FRAME; MILL FINISH

LOCK OPTIONS:

- CYLINDER LOCK WITH KEY
- SPANNER HEAD LATCH
- TORX HEAD LATCH
- ALLEN HEAD LATCH

JOB NAME:

APPROVED BY:

CUSTOMER:

DATE: