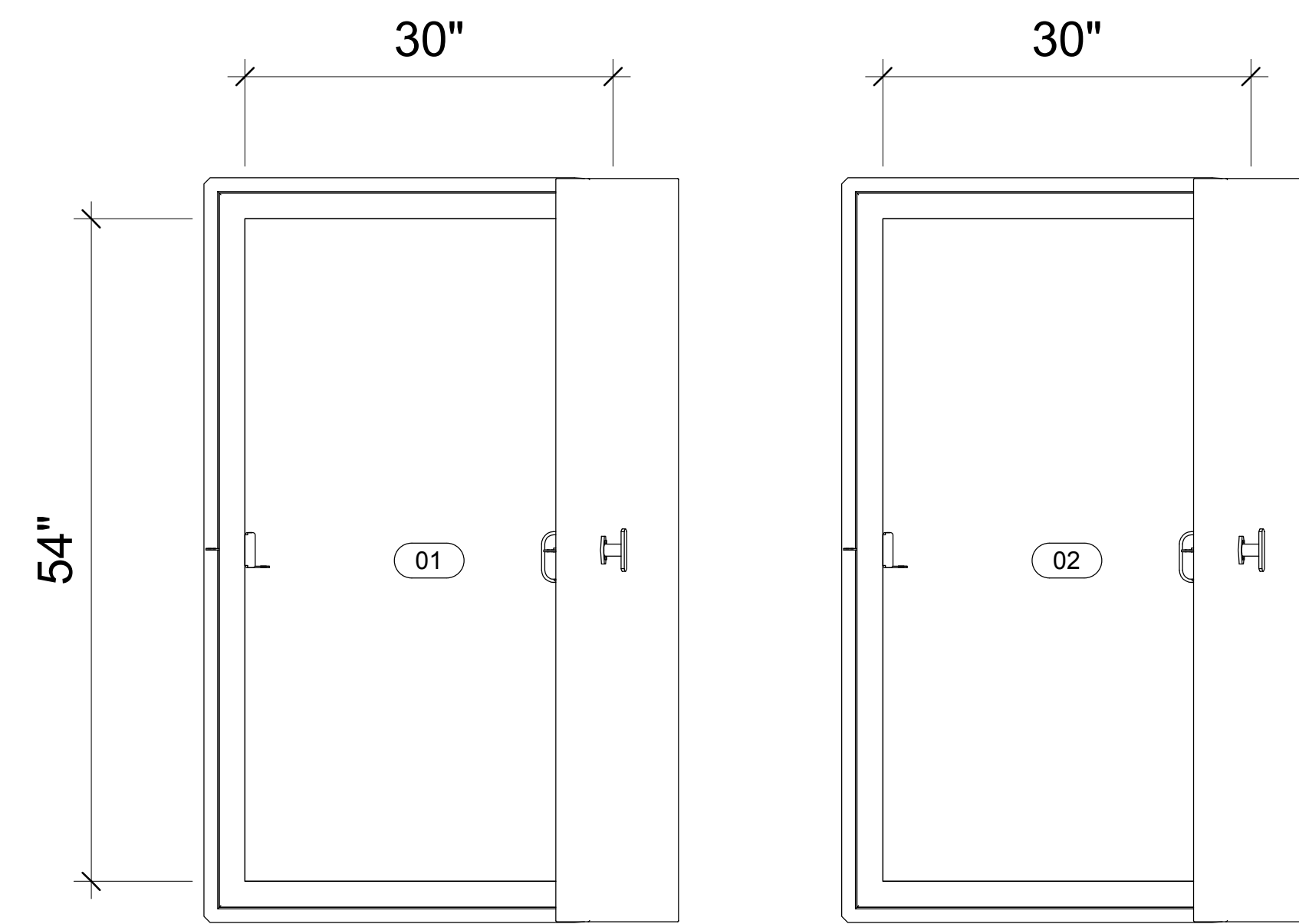
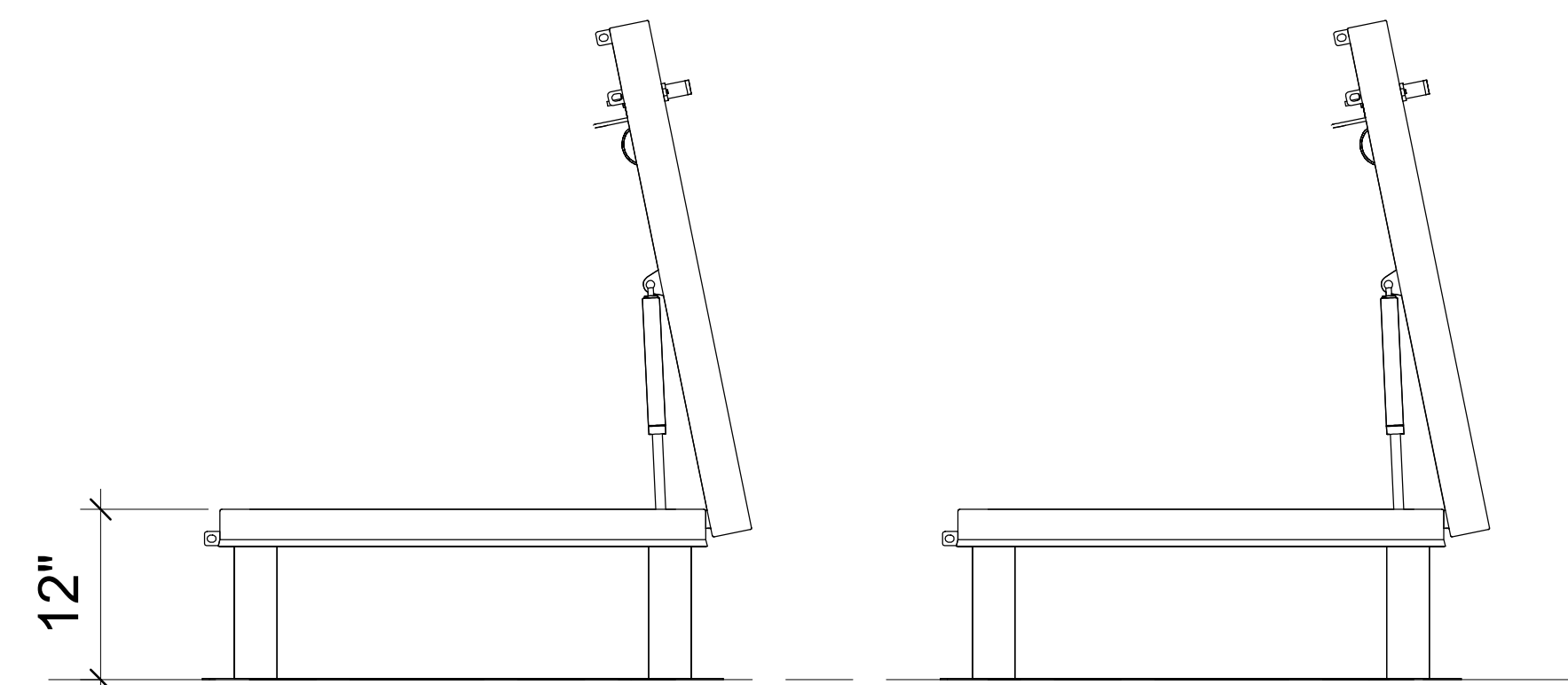




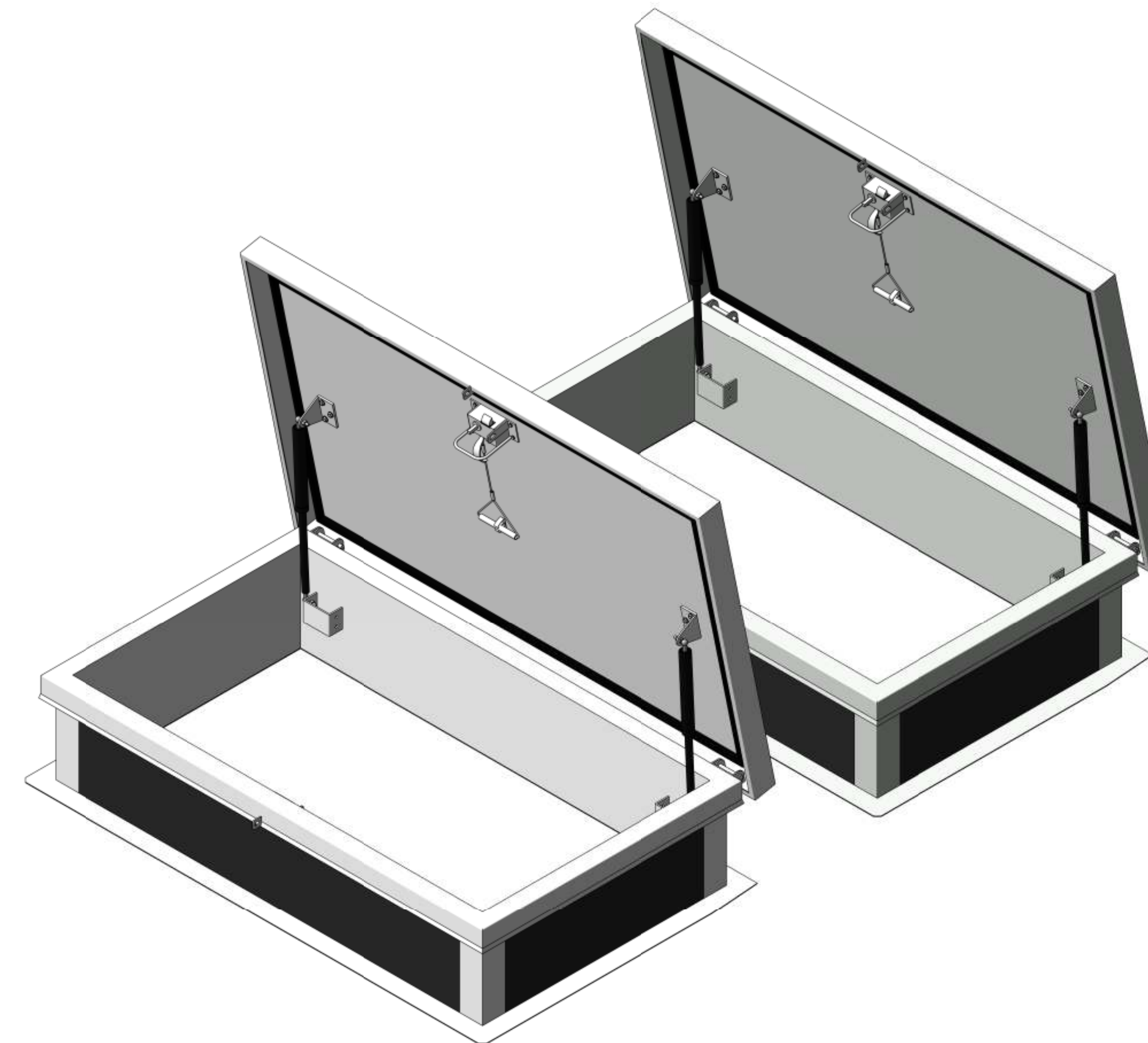
www.acudor.com



2 Level 1
1" = 1'-0"



3 Elevation 1
1" = 1'-0"



1 3D View

No.	Description	Date

Door Schedule													
Type Mark	Manufacturer	Description	Model	Type	Width	Height	Thickness	URL	Manufacturer URL	USA Manufacturer URL	USA Contact Number	Canada Manufacturer URL	Canada Contact Number
01	ACUDOR	SHIP STAIR ACCESS ROOF HATCH	A3862	A3862	30.000	54.000	12.000	www.acudor.com	info@acudorintl.com	info@acudor.com	800-722-0501	info@acudor.ca	844-228-3671
02	ACUDOR	SHIP STAIR ACCESS ROOF HATCH	A3862	G3862	30.000	54.000	12.000	www.acudor.com	info@acudorintl.com	info@acudor.com	800-722-0501	info@acudor.ca	844-228-3671

Roof Hatch
ACUDOR
SHIP STAIR
ACCESS

3D View, Plan, Elev,
& Schedule

Project Number 008
Date 03-17-2021

SHIP STAIR ACCESS

Scale 1" = 1'-0"