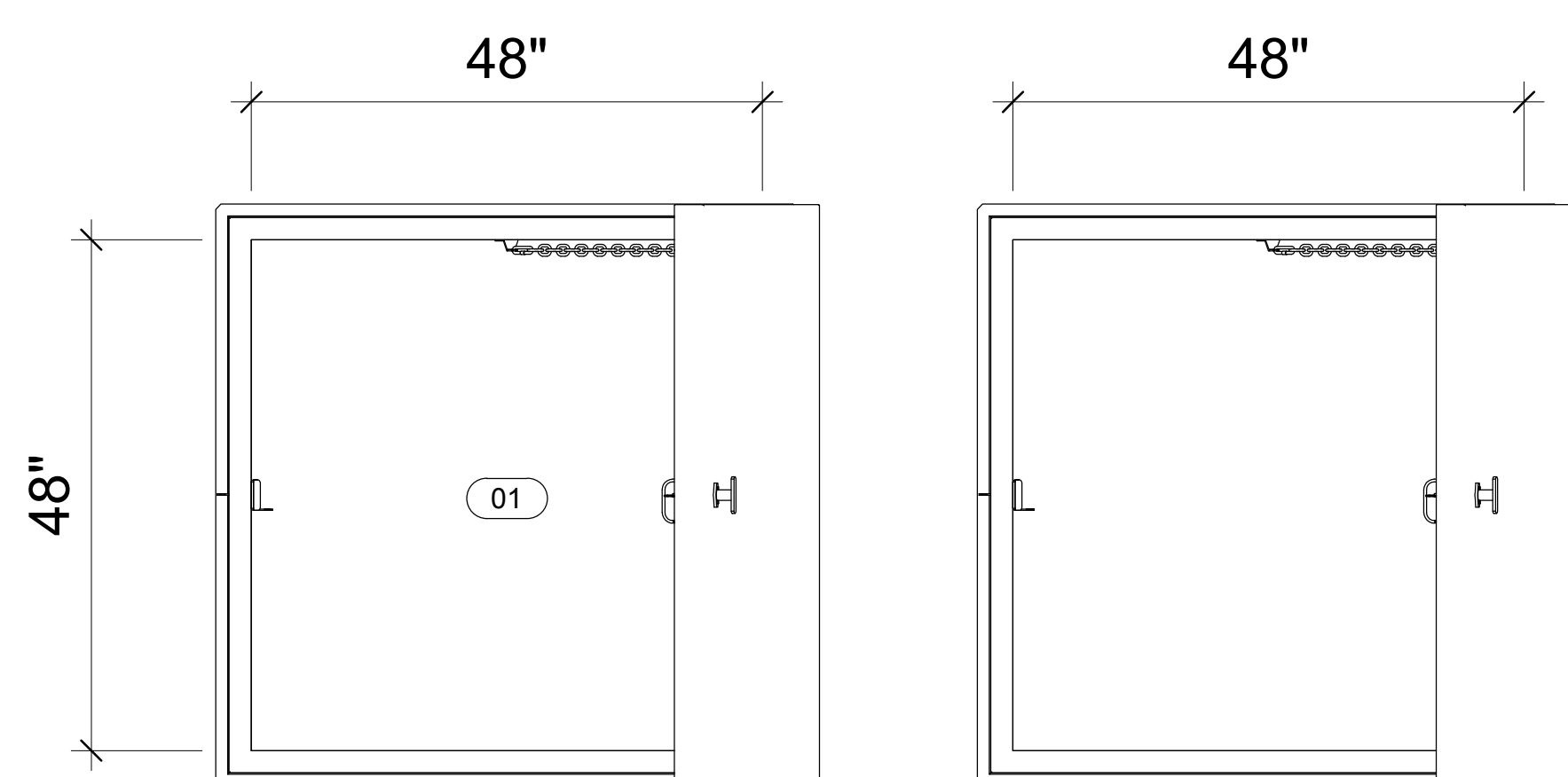
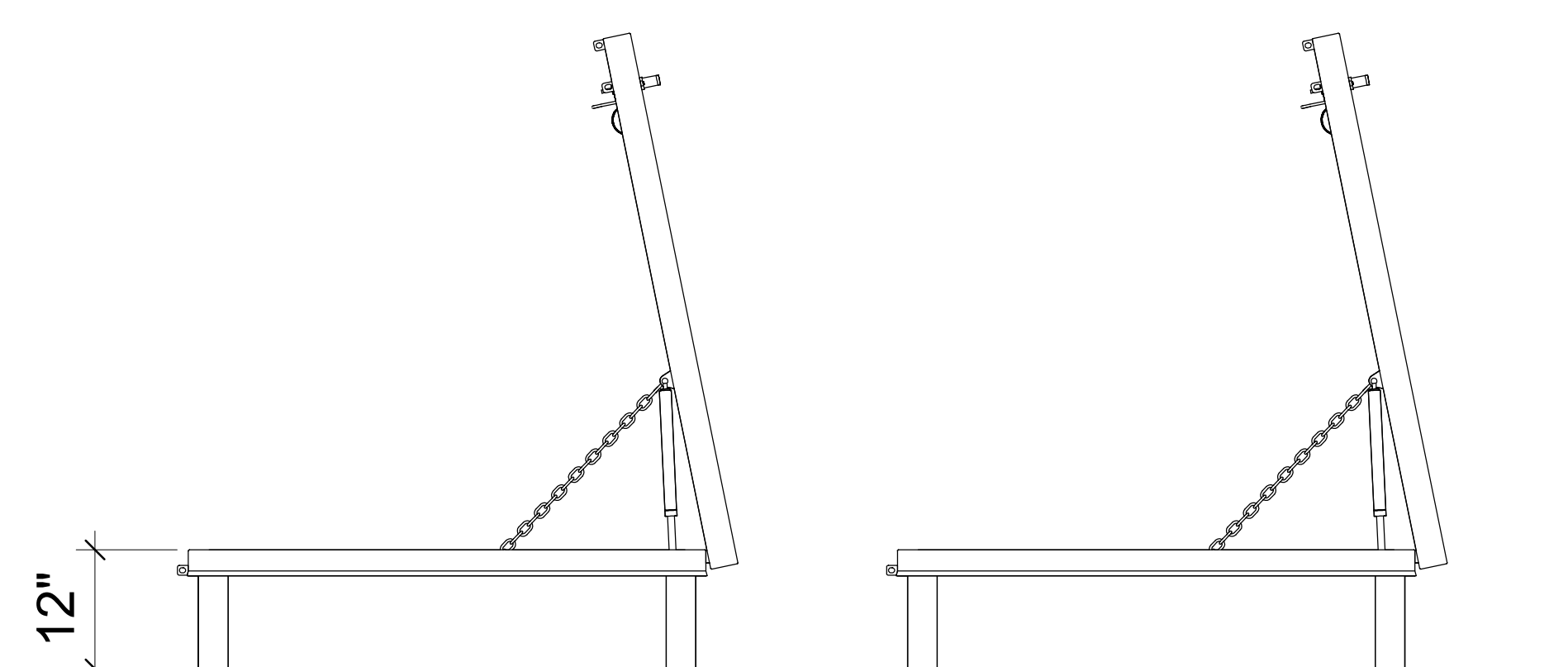




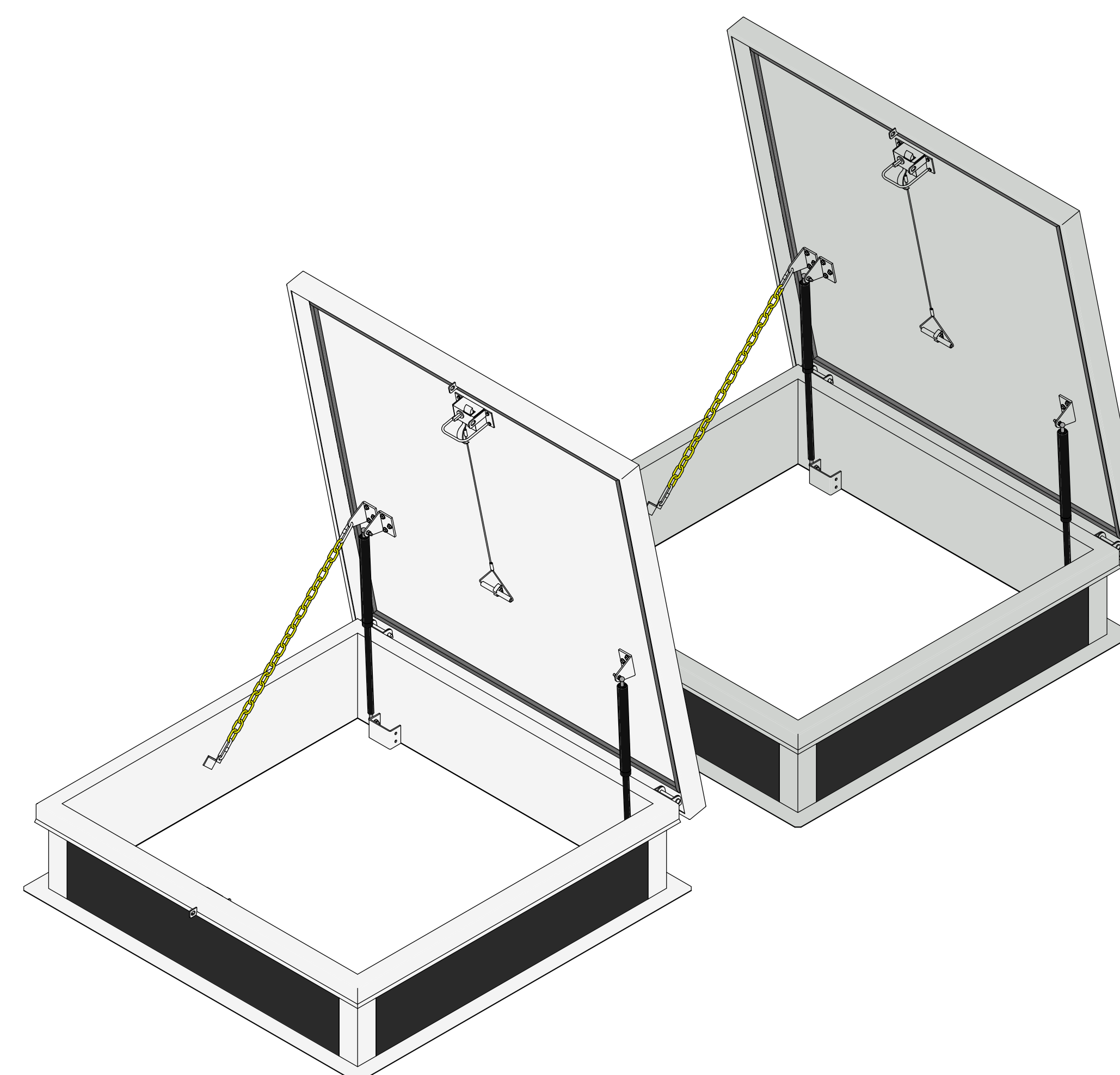
www.acudor.com



2 Level 1
3/4" = 1'-0"



4 Elevation 2
3/4" = 1'-0"



1 3D View

No.	Description	Date

Door Schedule													
Type Mark	Manufacturer	Description	Model	Type	Width	Height	Thickness	URL	Manufacturer URL	USA Manufacturer URL	USA Contact Number	Canada Manufacturer URL	Canada Contact Number
01	ACUDOR	EQUIPMENT ACCESS SINGLE LEAF ROOF HATCH	A5656	A5656	48.000	48.000	12.000	www.acudor.com	info@acudorintl.com	info@acudor.com	800-722-0501	info@acudor.ca	844-228-3671
02	ACUDOR	EQUIPMENT ACCESS SINGLE LEAF ROOF HATCH	G5656	G5656	48.000	48.000	12.000	www.acudor.com	info@acudorintl.com	info@acudor.com	800-722-0501	info@acudor.ca	844-228-3671

Roof Hatch
ACUDOR
EQUIPMENT
ACCESS SINGLE
LEAF

3D View, Plan, Elev,
& Schedule

Project Number 004

Date 03-17-2021

**EQUIPMENT ACCESS
SINGLE LEAF**

Scale 3/4" = 1'-0"

3/17/2021 11:06:16 PM