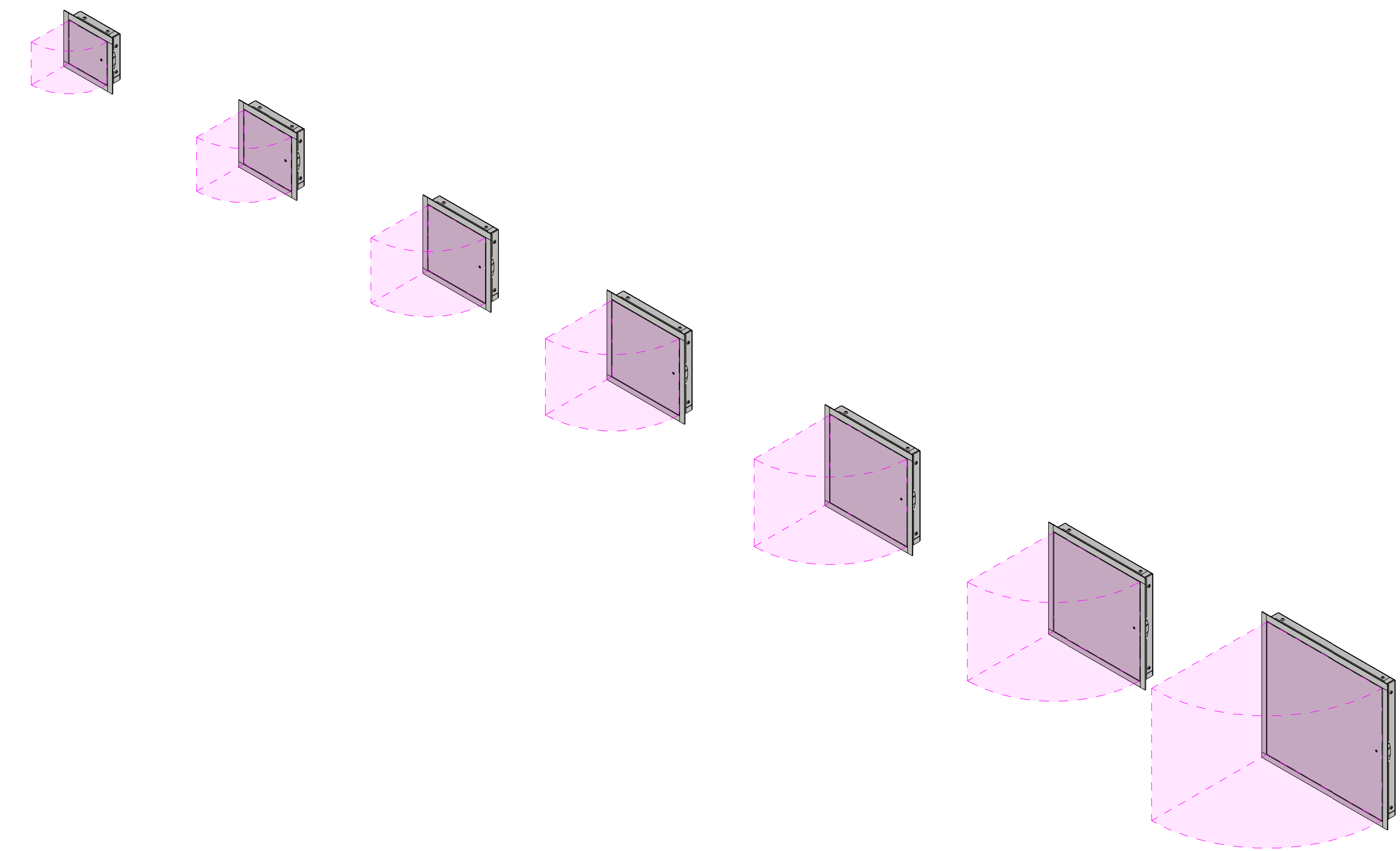
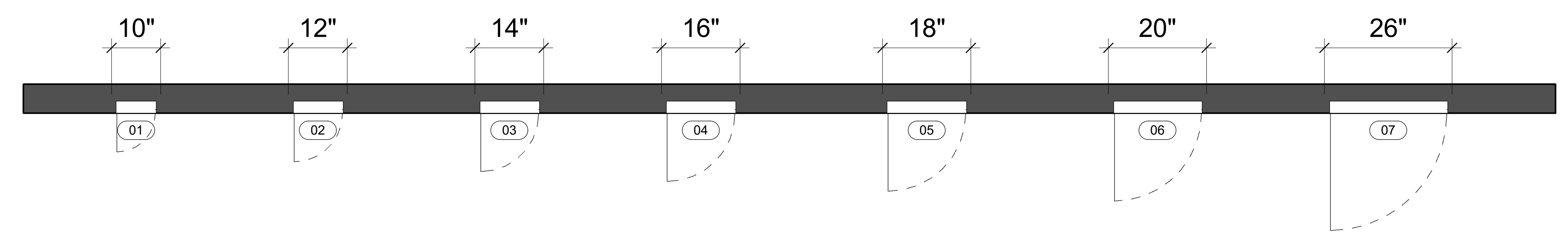




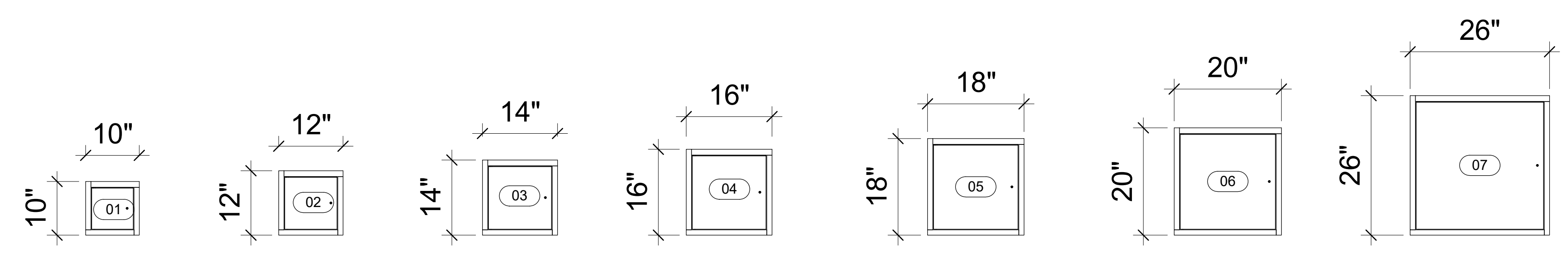
www.acudor.com



1 3D View



2 Level 1
3/4" = 1'-0"



3 Elevation 2
3/4" = 1'-0"

Door Schedule												
Type Mark	Manufacturer	Description	Model	Type	Width	Height	URL	Manufacturer URL	USA Manufacturer URL	USA Contact Number	Canada Manufacturer URL	Canada Contact Number
Access Door ACUDOR FireRated_Insulated FW-5050												
01	ACUDOR	FIRE RATED DOOR	FW-5050-0808	FW-5050-0808	10.00	10.00	www.acudor.com	info@acudorintl.com	info@acudor.com	800-722-0501	info@acudor.ca	844-228-3671
02	ACUDOR	FIRE RATED DOOR	FW-5050-1010	FW-5050-1010	12.00	12.00	www.acudor.com	info@acudorintl.com	info@acudor.com	800-722-0501	info@acudor.ca	844-228-3671
03	ACUDOR	FIRE RATED DOOR	FW-5050-1212	FW-5050-1212	14.00	14.00	www.acudor.com	info@acudorintl.com	info@acudor.com	800-722-0501	info@acudor.ca	844-228-3671
04	ACUDOR	FIRE RATED DOOR	FW-5050-1414	FW-5050-1414	16.00	16.00	www.acudor.com	info@acudorintl.com	info@acudor.com	800-722-0501	info@acudor.ca	844-228-3671
05	ACUDOR	FIRE RATED DOOR	FW-5050-1616	FW-5050-1616	18.00	18.00	www.acudor.com	info@acudorintl.com	info@acudor.com	800-722-0501	info@acudor.ca	844-228-3671
06	ACUDOR	FIRE RATED DOOR	FW-5050-1818	FW-5050-1818	20.00	20.00	www.acudor.com	info@acudorintl.com	info@acudor.com	800-722-0501	info@acudor.ca	844-228-3671
07	ACUDOR	FIRE RATED DOOR	FW-5050-2424	FW-5050-2424	26.00	26.00	www.acudor.com	info@acudorintl.com	info@acudor.com	800-722-0501	info@acudor.ca	844-228-3671

Access Door
ACUDOR
FireRated
Insulated
FW-5050

3D View, Plan, Elev,
& Schedule

Project Number 010
Date 06-19-2020

FW-5050

Scale 3/4" = 1'-0"