

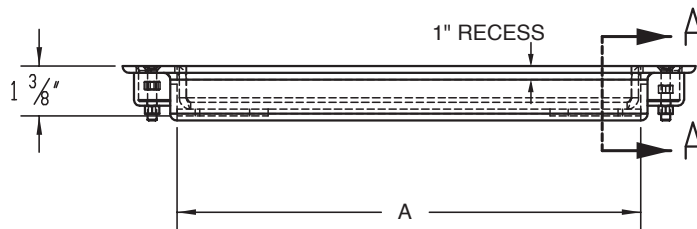
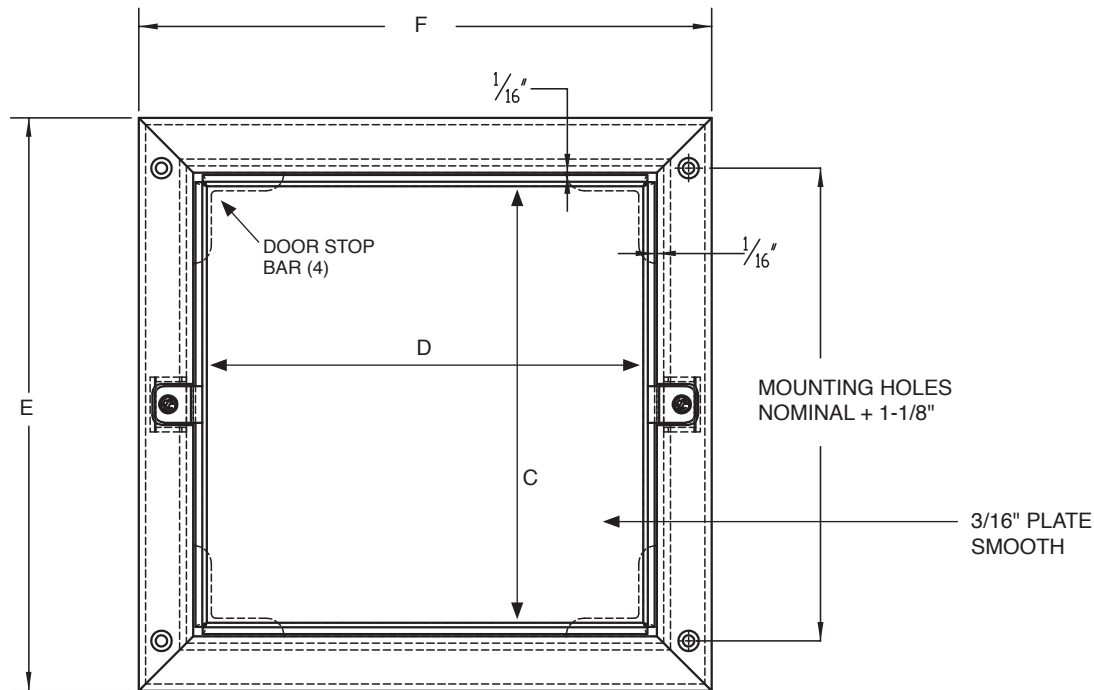


www.acudor.com
 U.S.A. : info@acudor.com / 800.722.0501
 CANADA: info@acudor.ca / 844.228.3671
 INTERNATIONAL: info@acudorintl.com
 905.428.2240

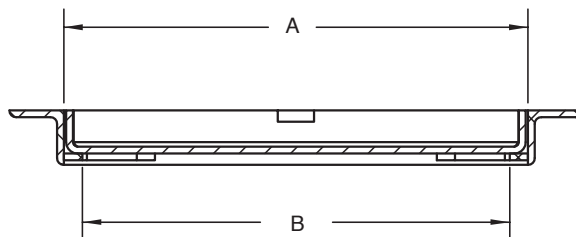
FT-8080

NON-HINGED PANEL RECESSED 1" FOR CERAMIC TILE/CARPET

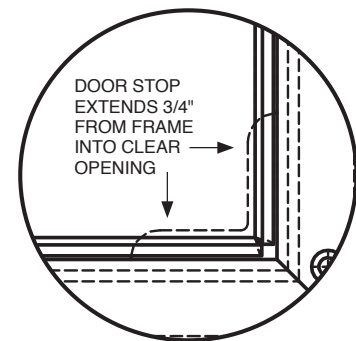
NOMINAL SIZE	FRAME OPENING		RECEIVING AREA		OVERALL SIZE		WEIGHT
in. (mm)	A in. (mm)	B in. (mm)	C in. (mm)	D in. (mm)	E in. (mm)	F in. (mm)	LBS. (KG)
8 x 8	8.750 (222)	7.750 (222)	8.125 (206)	8.125 (206)	11.750 (298)	11.750 (298)	5 (2.2)
12 x 12	12.750 (324)	11.750 (324)	12.125 (308)	12.125 (308)	15.750 (476)	15.750 (476)	7 (3.2)
18 x 18	18.750 (476)	17.750 (476)	18.125 (460)	18.125 (460)	21.750 (552)	21.750 (552)	15 (6.8)
24 x 24	24.750 (629)	23.750 (629)	24.125 (613)	24.125 (613)	27.750 (705)	27.750 (705)	36 (16.3)



SECTION A-A



DOOR STOP DETAIL:



NOTES:

- 1- MATERIAL: ALUMINUM
- 2- LOADING: 150 LBS. PER SQ. FT.
- 3- 316 STAINLESS STEEL NUTS & BOLTS

JOB NAME:
 CUSTOMER:

APPROVED BY:
 DATE: