

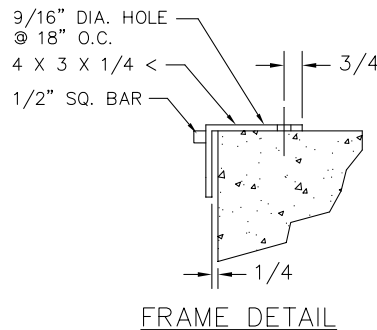
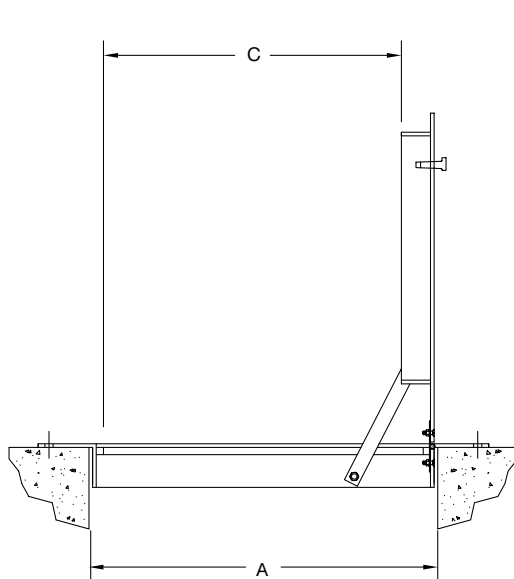
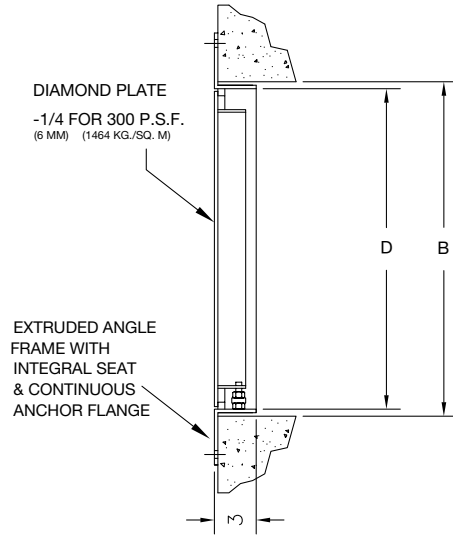
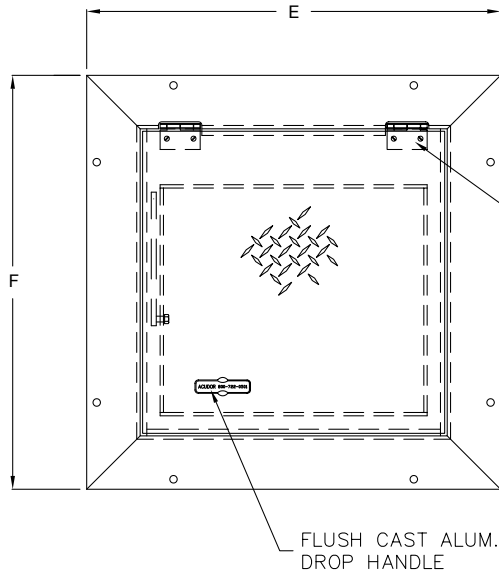


www.acudor.com
 U.S.A.: info@acudor.com / 800.722.0501
 CANADA: info@acudor.ca / 844.228.3671
 INTERNATIONAL: info@acudorintl.com
 905.428.2240

FA-300 RETROFIT

ANGLE FRAME FLOOR DOOR SINGLE LEAF

| FLOOR OPENING | FRAME O.D. | | CLEAR OPENING | | OVERALL SIZE | | WEIGHT |
|-----------------------|------------|-----------|---------------|-----------|--------------|-----------|---------|
| | A | B | C | D | E | F | |
| 24 x 24 (610 x 610) | 23 (610) | 23 (610) | 20 (533) | 22 (584) | 30 (762) | 30 (762) | 42 (19) |
| 24 x 30 (610 x 762) | 23 (610) | 29 (762) | 20 (533) | 28 (737) | 30 (762) | 36 (914) | 49 (22) |
| 24 x 36 (610 x 914) | 23 (610) | 35 (914) | 20 (533) | 34 (889) | 30 (762) | 42 (1067) | 55 (25) |
| 30 x 30 (762 x 762) | 29 (762) | 29 (762) | 26 (686) | 28 (737) | 36 (914) | 36 (914) | 57 (26) |
| 30 x 48 (762 x 762) | 29 (762) | 47 (1219) | 26 (686) | 46 (1194) | 36 (914) | 54 (1372) | 80 (36) |
| 36 x 36 (914 x 914) | 35 (914) | 35 (762) | 31 (813) | 34 (889) | 42 (1067) | 42 (1067) | 73 (33) |
| 36 x 48 (914 x 1219) | 35 (914) | 47 (1219) | 31 (813) | 46 (1194) | 42 (1067) | 54 (1372) | 92 (42) |
| 42 x 42 (1067 x 1067) | 41 (1067) | 41 (1067) | 37 (965) | 40 (1041) | 48 (1219) | 48 (1219) | 94 (43) |
| | | | | | | | |
| | | | | | | | |



| OPTIONAL FEATURES |
|--|
| <input type="checkbox"/> S.S. HORIZONTAL SPRINGS |
| <input type="checkbox"/> S.S. SLAMLOCK |
| <input type="checkbox"/> BITUMINOUS PAINT ON AREA IN CONTACT WITH CONCRETE |
| <input type="checkbox"/> OTHERS: _____ |

ACUDOR PRODUCTS, INC.
 FAIRFIELD, NJ

NOTE:
 1- MATERIAL: ALUMINUM
 2- LOADING: 300 LBS. PER SQ. FT.
 3- 316 STAINLESS STEEL BOLTS & NUTS
 4- APPROX. HATCH WEIGHT: 41 LBS.

JOB NAME:
 CUSTOMER:

APPROVED BY:
 DATE:

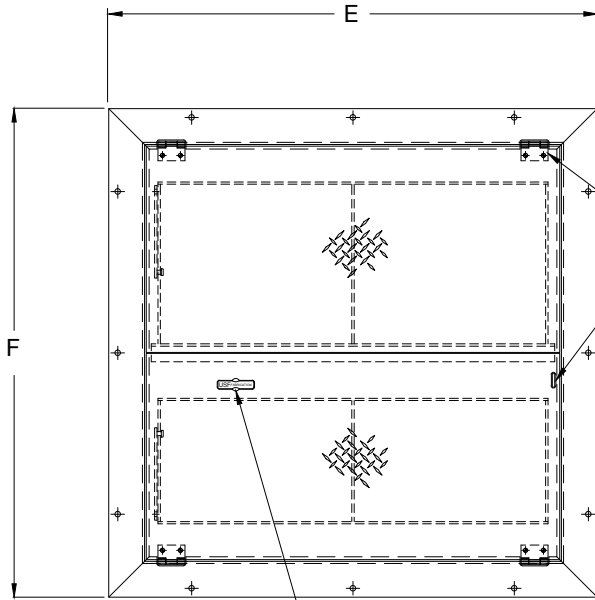


www.acudor.com
 U.S.A.: info@acudor.com / 800.722.0501
 CANADA: info@acudor.ca / 844.228.3671
 INTERNATIONAL: info@acudorintl.com
 905.428.2240

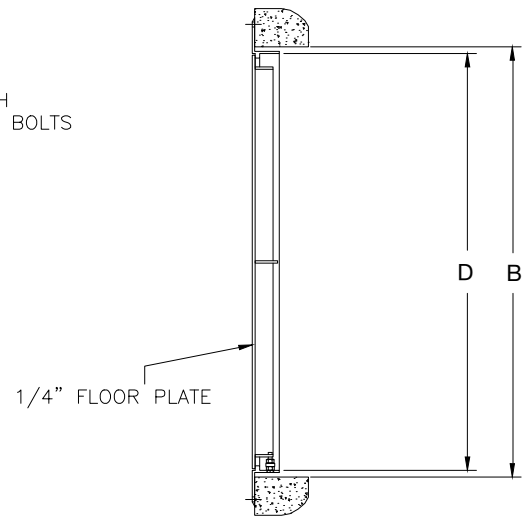
FA-300 RETROFIT

ANGLE FRAME FLOOR DOOR DOUBLE LEAF

| FLOOR OPENING | FRAME O.D. | | CLEAR OPENING | | OVERALL SIZE | | WEIGHT |
|-----------------------|------------|-----------|---------------|-----------|--------------|-----------|----------|
| | A | B | C | D | E | F | |
| 48 x 48 (1219 x 1219) | 47 (1219) | 47 (1219) | 44 (1194) | 46 (1041) | 54 (1372) | 54 (1372) | 123 (56) |
| 48 x 72 (1219 x 1829) | 47 (1219) | 71 (1829) | 44 (1194) | 70 (1651) | 54 (1372) | 78 (1981) | 170 (77) |
| 60 x 60 (1524 x 1524) | 59 (1524) | 59 (1524) | 54 (1499) | 58 (1372) | 66 (1676) | 66 (1676) | 177 (80) |
| | | | | | | | |
| | | | | | | | |



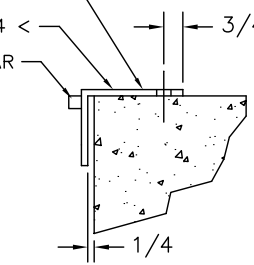
S.S. HINGE WITH TAMPER PROOF BOLTS
 STAPLE FOR PADLOCK



1/4" FLOOR PLATE

FLUSH CAST ALUM. DROP HANDLE

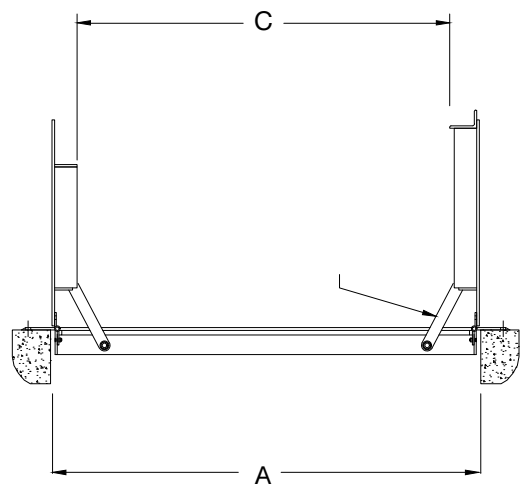
9/16" DIA. HOLE @ 18" O.C.
 4 X 3 X 1/4 <
 1/2" SQ. BAR



FRAME DETAIL

| OPTIONAL FEATURES |
|--|
| <input type="checkbox"/> S.S. HORIZONTAL SPRINGS |
| <input type="checkbox"/> S.S. SLAMLOCK |
| <input type="checkbox"/> BITUMINOUS PAINT ON AREA IN CONTACT WITH CONCRETE |
| <input type="checkbox"/> OTHERS: _____ |

ACUDOR PRODUCTS, INC.
 FAIRFIELD, NJ



NOTE:
 1- MATERIAL: ALUMINUM
 2- LOADING: 300 LBS. PER SQ. FT.
 3- 316 STAINLESS STEEL BOLTS & NUTS
 4- APPROX. HATCH WEIGHT: 41 LBS.

JOB NAME:
 CUSTOMER:

APPROVED BY:
 DATE: